



New Design Led MR16 6W With Flip Chip Technology

Product Overview:

- 1.LED 6W COB as light source
- 2.High brightness effect, high color rendering function, dimmable available
- 3.Can be used to replace 50W halogen spots

Applications:

Can impact energy usage and cost dramatically for commercial areas, like Hotel, Café, Restaurants, Stores, Commercial Shopping Malls...

Material:

Cold forged aluminum, also called pure AL, 2.5 times in thermal conductivity compared with normal AL.

Structure:

Chimney principle:

Designed with the principle of aerodynamics and thermodynamics, form a "chimney" cooling way, increase the circulation of the air convection. Also, this pore structure make dust difficult to attach, ensure the direct contact area of the heat sink and air.

One more, this design make the temperature of driver and housing be separated.

Dimming Capability:

Dimmable with most of the trailing edge dimmers in the market like Lutron, Legrand, Masano, Leviton etc.

The dimming range is from 5%-100% with smooth dimming performance.

Operating Circumstance:

Input voltage: DC12V

Frequency Range: 47-63HZ

Working Environment Temperature: -10~+45°C

Usage time: less than 12hours per day

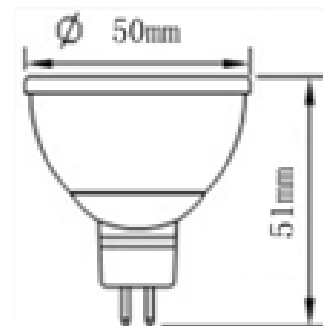
Electric Characteristic:

LED Chips Power:	1*6W COB LED
Lights Consumed Power:	6W
Lumens:	CW: 580-630lm, WW: 550-600lm
Beam Angle :	36/60Deg
Color Rendering Index:	≥80RA
Dimension:	φ50×51mm
Junction Temperature:	<75°
Ambient Humidity:	90%
Light Decay:	2-3% after 3000HRS
Total Harmonic Distortion:	≤5%
Lamp's Efficiency:	≥90%
Safety Assurance:	Energy star /UL/ CE/ RoHS
Warranty Time:	5 Years

Picture



Size Drawing



Packaging

57*57*18CM/CTN
200PCS/CTN
15KG/CTN



Installation Instruction:

Please clarify if the MR16 LED we got from you work on a **magnetic** or **electronic transformer**. also clarify what type of dimmer is compatible for it.

Attention: The IP40 lamp is indoor lamp. Don't install outdoors or at a leak place.